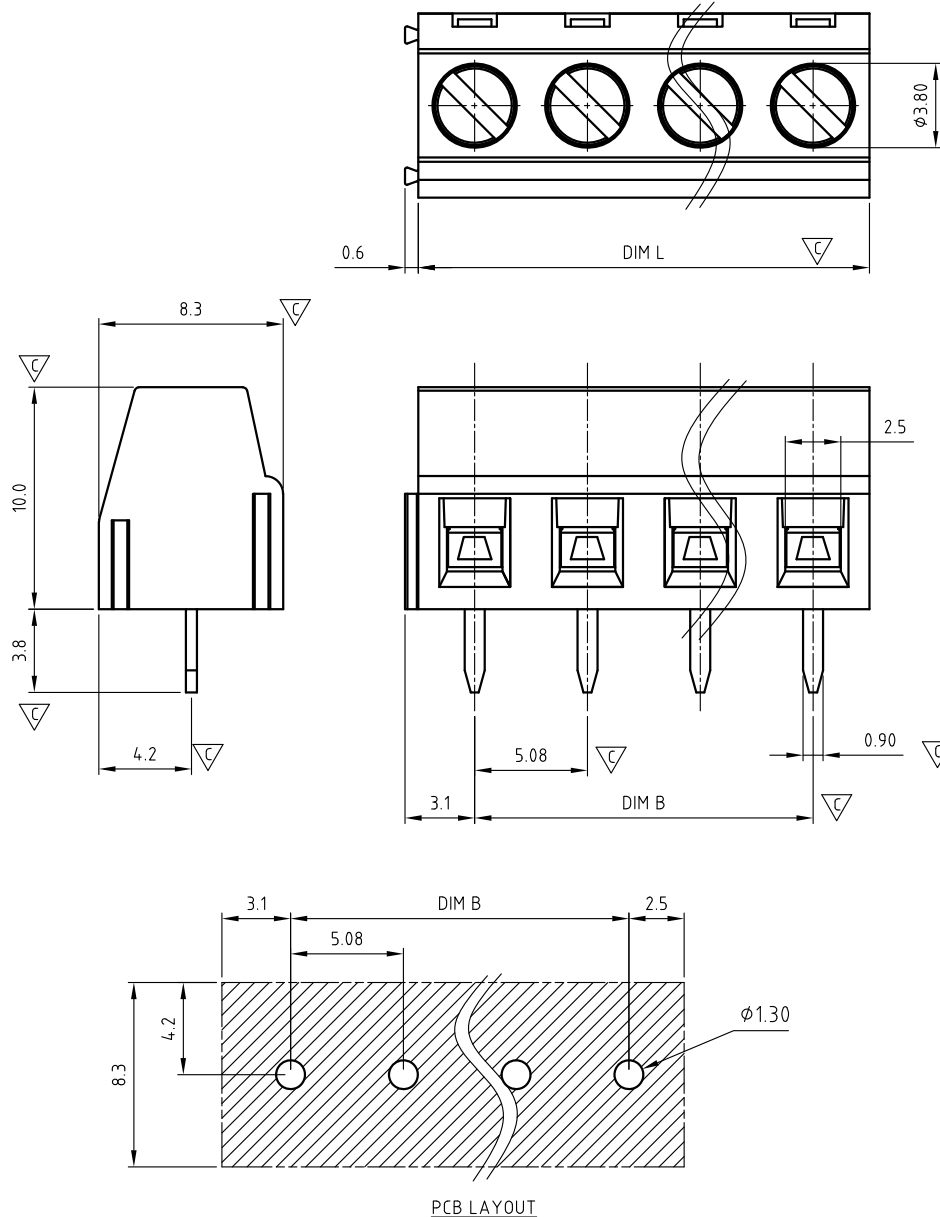


Transfer or duplication of this document as well as the utilisation or communication of its content are not permitted unless express consent is granted. Violations give rise to claims for damages. All rights reserved in case of patent, utility model or design patent registrations.



Technical data

1.Nominal voltage: 300V/10A (TUV 400V/17.5A III/2)

PITCH:5.08mm

IEC60947-7-4

Overvoltage category/Pollution degree	III/3	III/2	II/2
Rated insulation voltage (Ui)(V)	250	400	500
Rated impulse withstand voltage (Uimp)(KV)	4	4	4

2.Connection capacity:
AWG 30-16 (0.5-1.5mm²)

3.Insulation Withstanding Voltage:
AC 1600V/MIN AC 2500V/MIN

4.Insulation Resistance:
1000MΩ or more at DC500V

5.Tightening torque:
4.0kgf.cm (0.4N.m)

6.Screw thread: M3

7.Stripping length: 5-6mm

8.Using temperature range:-40C°-105C°

Soldering temperature:250±10C°/5s

9.Undimensioned Tolerances:

	Dim B	Dim L
Dim.L=Px5.08		
Dim.B=(P-1)x5.08		
P= number of poles		
0-30mm	±0.15	±0.20
over 30mm-60mm	±0.20	±0.25
over 60mm-90mm	±0.25	±0.30
over 90mm	±0.30	±0.40

10.Safety approval:

11.RoHS Compliance

12.Critical dimension:

EGHM508 xx x 0xx

①②③

① Poles 02-24

② Color

0 Black 3 Orange 5 Green 6 Blue 8 Dark gray....

③ Custom

00 K MARK 0K KUNACON MARK....

4	CONTACT	BRASS	Tin PLATED	P
3	SCREW	STEEL	M3x0.5, Zn Plated	P
2	CAGE	BRASS	M3x0.5, L=4.8 Ni PLATED	P
1	BODY	PA66 UL94V-0	ALL COLOR	1
ITEM	NAME OF PART	MATERIAL	NOTES	Q'TY
DWG.	WF. Zhang	DATE	2021.04.28	UNITS: MM SHEET: 1 OF 1 Tolerance
CHK.	WF. Zhang	DATE	2022.01.05	SCALE: NONE 2.5:1 (:) REV.: B
APP.		DATE		X. ±0.50 X.X ±0.30 X.XX ±0.10 X° ±1°
TITLE: EGHM508 Series "-" slot screw				
PART NO. EGHM508xxx0xx				
DWG NO. EG-H508-B001				

B	△	Added TUV SPEC.	WF.Z	1/5'22
REV	SIGN	DESCRIPTION	CHK.	DATE



KUNA Contact Technology Co, Ltd
http://www.kunacon.com